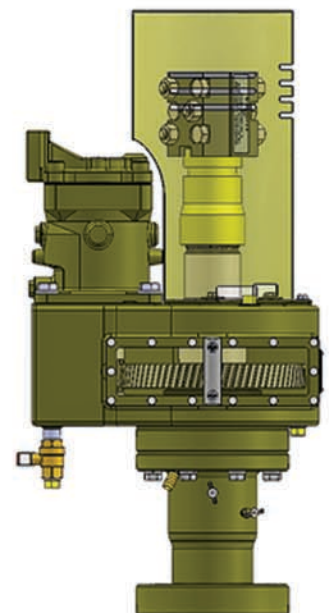
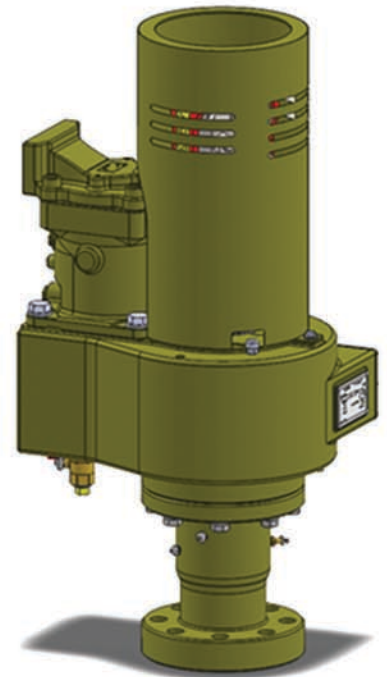




# MG075-10T



MG075-10T	
Rating	
Power rating, kW / HP	55 / 75
Maximum Polished Rod Speed (RPM)	500
Thrust Bearing rating, ISO (kN / lbs)	720 / 161,970
Thrust Bearing rating, Ca90 (kg / lbs)	19,080 / 41,977
Maximum input torque (Nm / ft-lbs)	2,152 / 1,587
Gear Ratio	4 : 1
Structural	
Polished rod size, in.	1 1/4" or 1 1/2"
Wellhead connection	3 1/8" 3,000 lbs R-31 Flange
Overall Height (mm / inches)	953 / 37.5
Drivehead Weight (kg / lbs)	364 / 800
Braking System	
Orifice in Hydraulic - Hose/skid	
Optional Equipment	
Environmental Seal Integral	
Environmental Seal Booth (open)	
Rope Packing Seal	
Leak Detection System	
Tachometer	

FROM THE GROUND UP